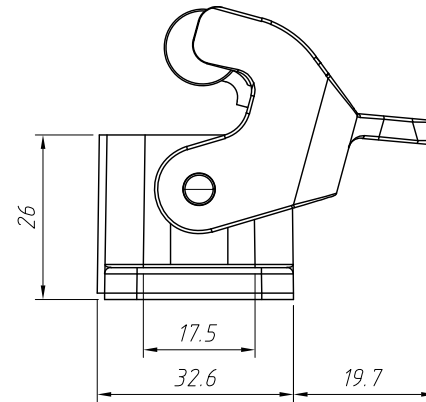
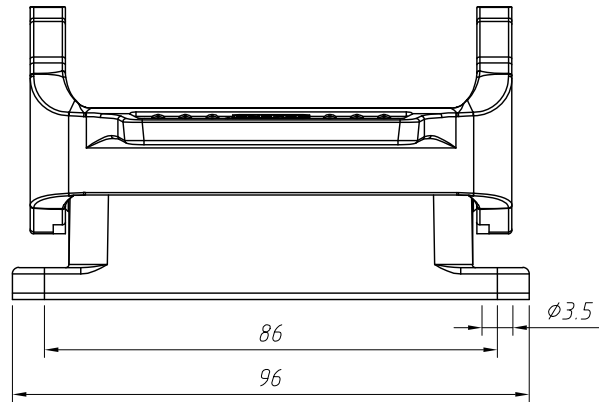
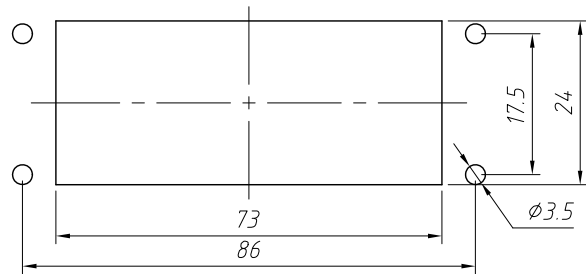


RoHS Compliance

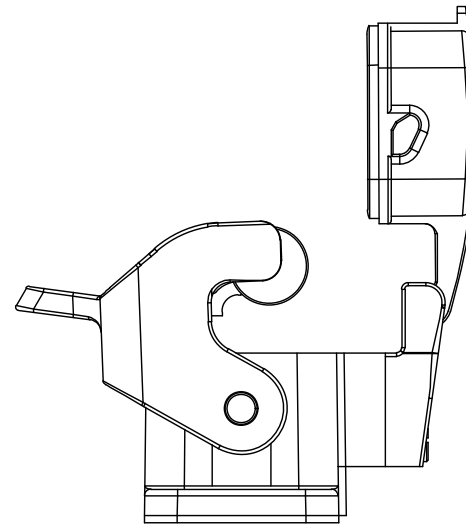
REV	SYM	Revision Record	Appr.	Date
V0	KLS01695	New Version Release	WuHao	2025-06-26



Material:
 Housing: Aluminium Die-Cast, UL 94V-0
 Surface: Powder-Coated
 Colour: RAL 7037 (Grey)
 Temperatures range: -40°C ~ +125°C
 Degree of protection: IP65
 (Acc. to IEC 60529 for coupled Connector)
Locking Element:
 Locking Type: Single Locking Latch
 Material: Stainless Steel + TPE
 Hoods/Housings Sealing: NBR
 Cable Entry: Bottom Entry

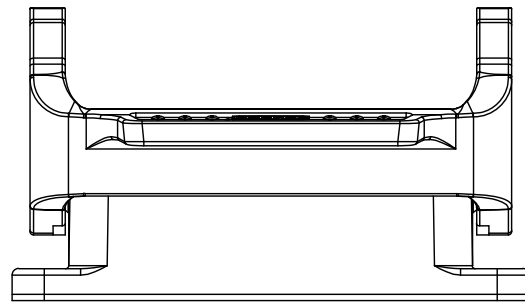
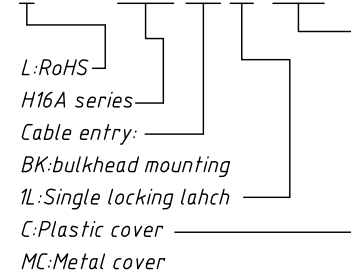


Panel Hole Diagram



With Metal / Plastic cover

Order Information:
 L-KLS1-H16A-BK-1L (XX)



Without cover

ITEM	Describe
L-KLS1-H16A-BK-1L	Without cover
L-KLS1-H16A-BK-1LC	With Plastic cover
L-KLS1-H16A-BK-1LMC	With Metal cover

ANGLE TOLERANCE	PROJECTION	Description:
±3°		Heavy Duty Connectors H16A Series Hoods, Bulkhead Mounting
GENERAL TOLERANCE	UNITS	mm
x.x ±0.30	SHEET SIZE	A4
x.xx ±0.20	Draw:	WuHao 2025-06-26
x.xxx ±0.10	Check:	Daniel 2025-06-26



NingBo KLS ELECTRONIC CO.,LTD.